

1

2

3

4

5

6

7

E

E

D

D

C

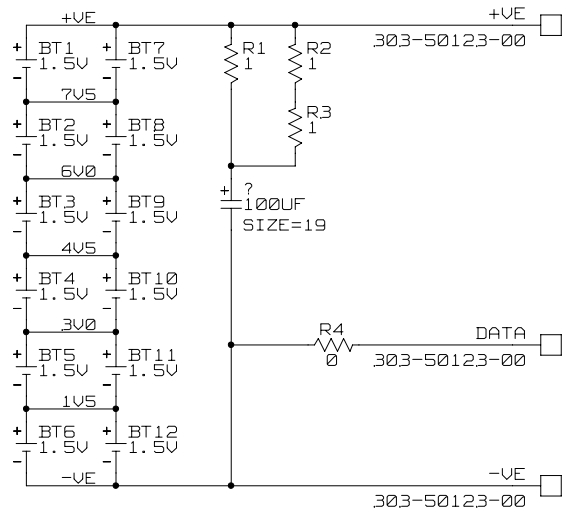
C

B

B

A

A



| | | |
|-------------------------------------|-------------------------|-------------------------|
| © TAIT ELECTRONICS | | A3 |
| TPA DRYCELL PACK | | |
| IPN: 220_01749 | ISSUE: A | VARIANT NUMBER: ? |
| FILE DATE: Tue Aug 02 14:26:04 2005 | | |
| ENGINEER: EB | FILE NAME: 220_01749 | SHEET NUMBER: 1 OF 1 |

| | | | | | | |
|---------|------------|--------|------|-------|------|----------|
| Ø1A | ORIGINAL | PAUL G | ? | ? | EB | 2B/07/05 |
| REV/ISS | AMENDMENTS | DRAWN | CHKD | D. O. | APVD | DATE |

1

2

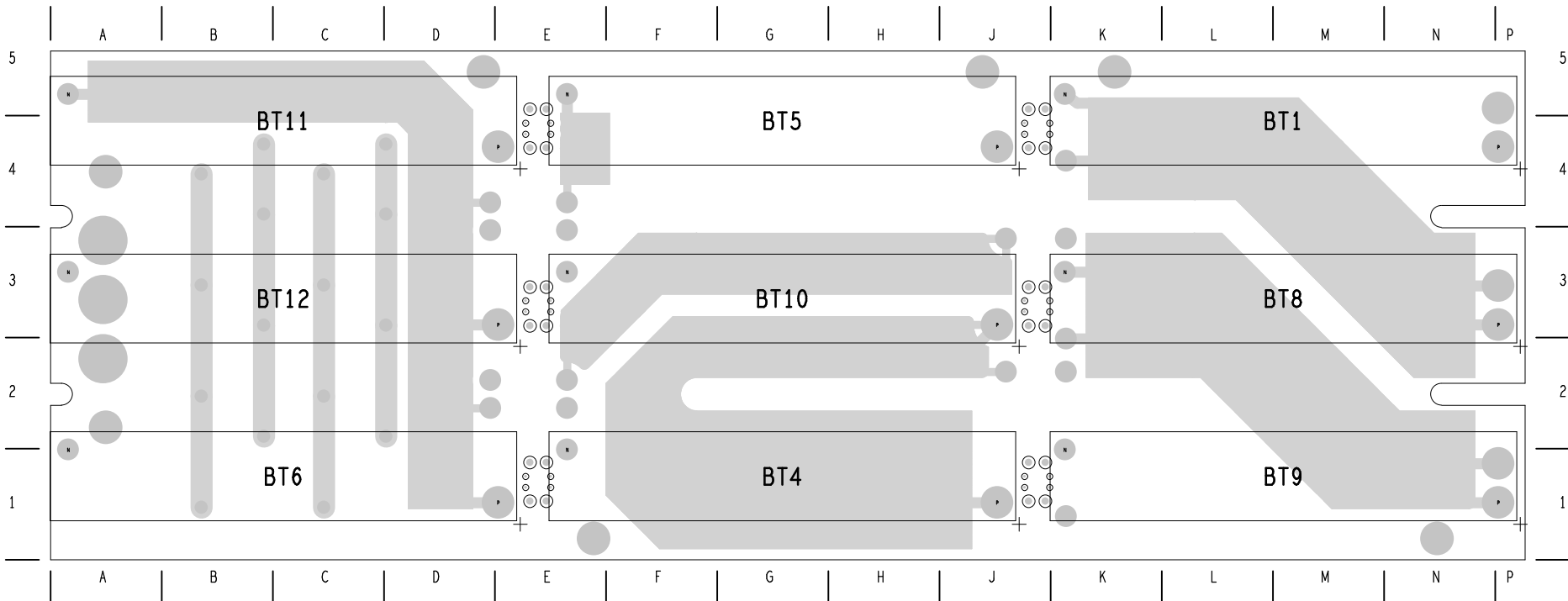
3

4

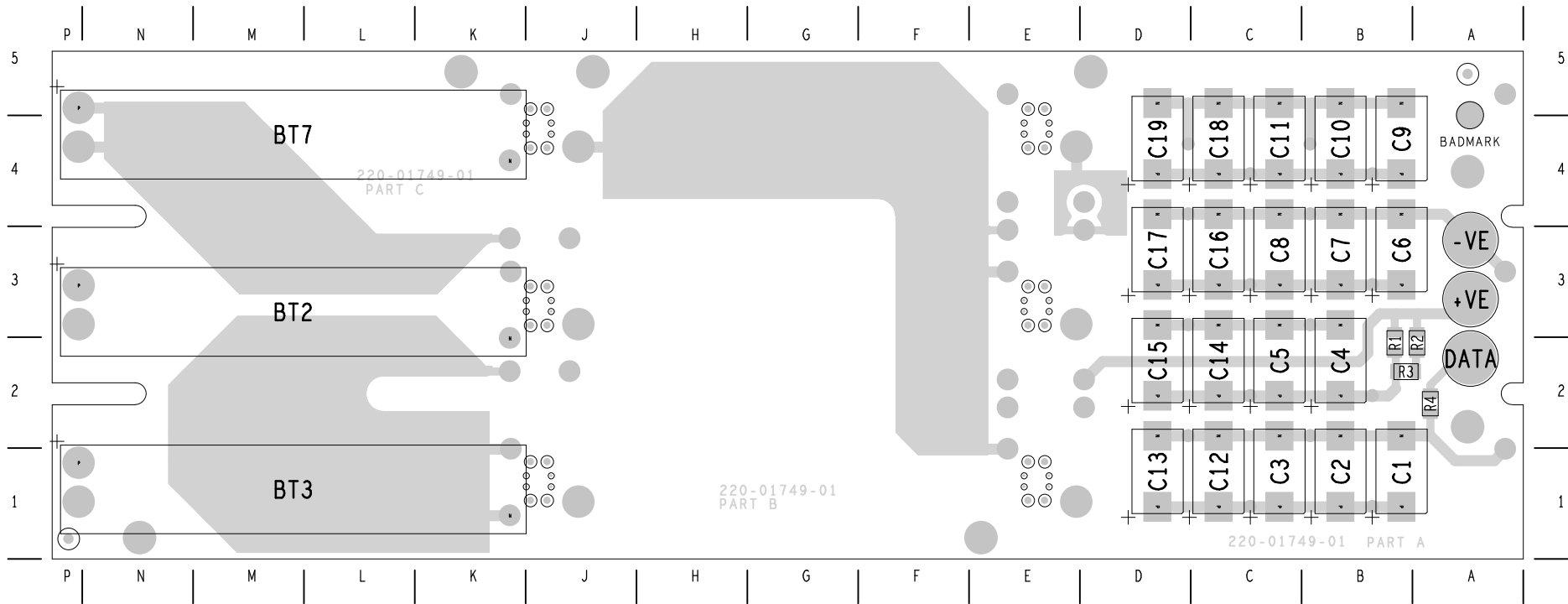
5

6

7



| | | | | |
|---|----------------------|-----------|-----------------|---------------|
| TAIT ELECTRONICS | IPN: 220-01749-01 | ISS: A | DATE: 5Aug05 | SCALE: NTS |
| Apco Drycell Battery Pack LAYOUT-PRIMARY-SIDE | | | | |



| | | | | |
|---|----------------------|-----------|-----------------|---------------|
| TAIT ELECTRONICS | IPN: 220-01749-01 | ISS: A | DATE: 5Aug05 | SCALE: NTS |
| Apco Drycell Battery Pack LAYOUT-SECONDARY-SIDE | | | | |